



2580 East Philadelphia Street, Unit C, Ontario, California, 91761 USA
 909.930.3600 | Toll Free 877.374.5521 | Fax 909.930.3323
 dsi-hums.com

HUMS FACT SHEET

*ATTENTION CUSTOMER BUSINESS MANAGERS,
 AUTHORIZED DISTRIBUTORS, AND OPERATORS*

STC No.: SR02818NY		Bell 212	
STC Holder: Aeronautical Accessories Inc Bell Helicopter Textron Inc 441 Industrial Park Rd. Piney Flats, TN 37686			
STC Issue Date:	Jun 2010		
STC Reissue Date:	Jun 2011		
Applicable to:	B212		
HUMS Model:	1209 HUMS		

NOTE:

SUMMARY:

System sold exclusively via Bell's Aeronautical Accessories Inc at 1-800-251-7094 or sales@aero-access.com or www.aero-access.com/catalog

The Bell Helicopter Vibration Monitor (BHVM) Kit and Altair Engine Trend Monitor System provide drive train health and engine monitoring to improve aircraft serviceability and maintainability between regularly scheduled inspections and overhaul periods. A control head located in the pedestal provides the primary flight crew interface to the BHVM. A pedestal mounted USB port allows the flight crew to transfer data between the aircraft and a PC-based ground support station. An Ethernet connection provides means for maintenance personnel to connect to the ground support station. BHVM diagnostics facilitate vibration-related maintenance functions such as main rotor track and balance, tail rotor balancing, main input drive shaft balancing and tuning of the instrument panel Frahm absorber. Enhanced vibration diagnostics allow maintenance personnel to detect faults within the main rotor system, tail rotor drive system, engine accessory gearbox and combining gearbox. Built in test features simplify system troubleshooting.

The BHVM Kit uses the Honeywell Model 1209 Main Signal Processing Unit (MSPU), a Cockpit Control Head (CCH), sensors including accelerometers and tachometers, and a PC based ground station. Honeywell's PC-GBS software is used for storage of data received from the airborne system, analyzes the data to determine if defined limits have been exceeded, annunciates exceedances, and specifies corrective maintenance actions (either self-generated or via references to approved maintenance manuals).



2580 East Philadelphia Street, Unit C, Ontario, California, 91761 USA
909.930.3600 | Toll Free 877.374.5521 | Fax 909.930.3323
dsi-hums.com

MAJOR COMPONENT PART NUMBERS:

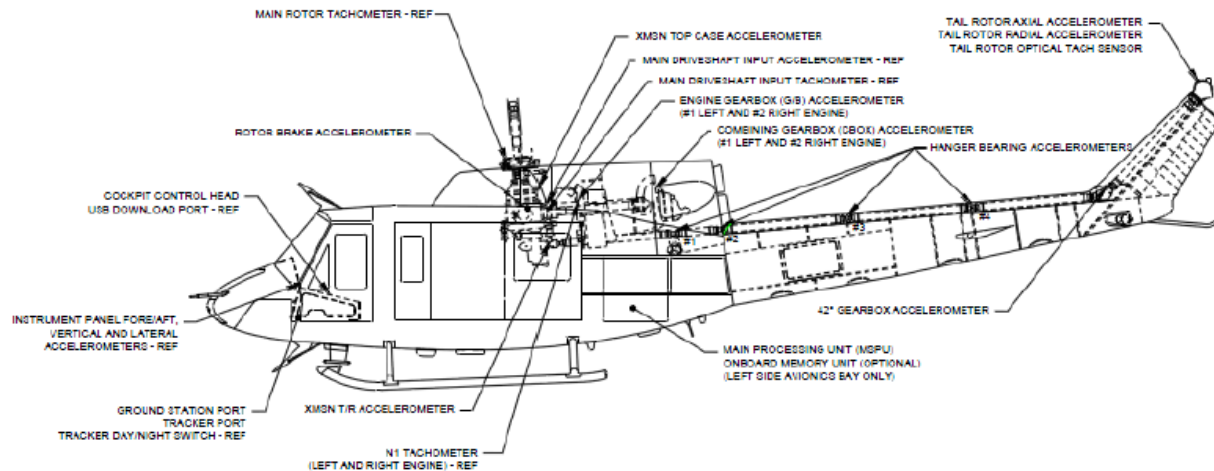
Aeronautical Accessories Inc. Part Numbers:

212-262-001 Bell 212 (BHVM) Kit
212-262-002 Bell 212 (BHVM) Kit w/ Altair Smart Cycle

SENSORS:

18 Vibration Accelerometers and 4 Tachometers as shown below. Sensors are provided by AAI

INSTALL LOCATIONS:



OPTIONS:

For technical support and additional information, please contact:

Brian C. Hatcher
Phone: (909) 930-3600 Ext. 222
Cell: +1-949-690-2914
brian.hatcher@dsi-hums.com

Neil Seamon
Phone: (909) 930-3600 Ext. 228
Cell: +1-949-232-3760
neil.seamon@dsi-hums.com